

# TABLET DRAWSTRING BAG

# PROOF

Company Name

(COMPANY NAME)

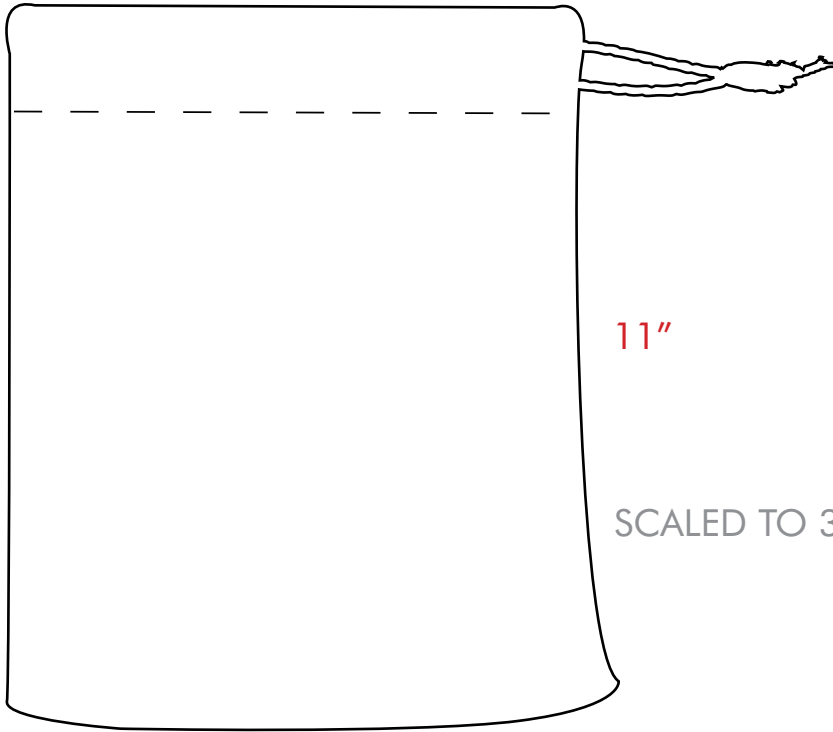
**PO:000000000000**

Date: 00/00/0000

Fax: 000-000-0000

Attn: Name

FRONT

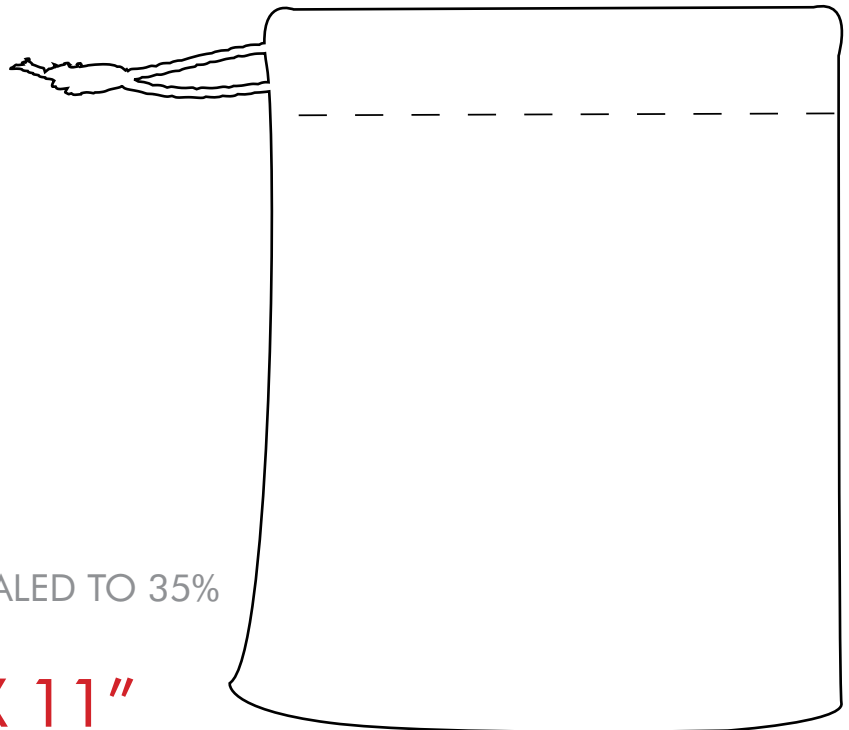


11"

SCALED TO 35%

9"

BACK



SCALED TO 35%

**ACTUAL SIZE 9" X 11"**



TO DISTRIBUTOR AND YOUR CLIENT, FOR YOUR PROTECTION AND OURS:

By signing this artwork approval, you have verified and agreed with the logo and text, logo size and printing position. You authorize us to proceed with the production and you are accountable for the full value of the order due to mistakes or changes to the logo, as mentioned above.

SIGNATURE

DATE